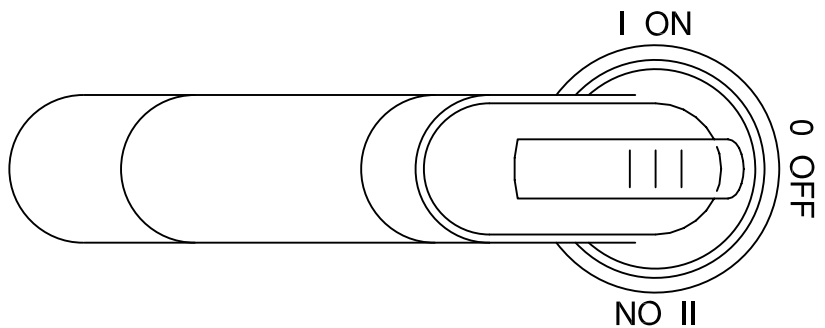
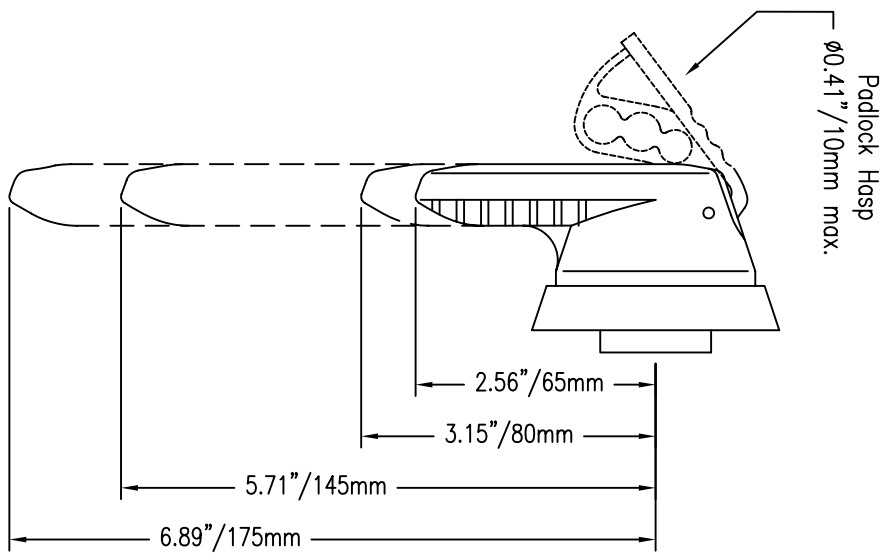


MOUNTING HOLE
PATTERN



FRONT VIEW



SIDE VIEW

3-position Transfer Switch Handles

Part Number	Shaft Size	Environmental Rating
OHB65J5E011	5mm	Type 1, 3R, 12
OHB65L5E011	5mm	Type 1, 3R, 4, 4X, 12
OHB80J6E011	6mm	Type 1, 3R, 12
OHB80L6E011	6mm	Type 1, 3R, 4, 4X, 12
OHB145J12E011	12mm	Type 1, 3R, 12
OHB145L12E011	12mm	Type 1, 3R, 4, 4X, 12
OHB175J12E011	12mm	Type 1, 3R, 12
OHB175L12E011	12mm	Type 1, 3R, 4, 4X, 12

Handle color note:
Part number prefix OHB = black handle color
Part number prefix OHY = red/yellow handle color

REV. LET.	REVISIONS	DATE	REV OR APPD BY	THIS DRAWING IS THE PROPERTY OF ABB Inc. AND CONTAINS PROPRIETARY AND CONFIDENTIAL INFORMATION WHICH MUST NOT BE OR DISCLOSED OTHER THAN EXPRESSLY AUTHORIZED BY ABB Inc.	ABB Inc.	DATE 10-12-07	DRAWN JWD	CHK'D	PROJECT NO.	REV. A	TITLE Pistol Grip Handle Transfer Switch
						SHEET 1 OF 1				SIZE A	DRAWING NUMBER D 2501 8001-002