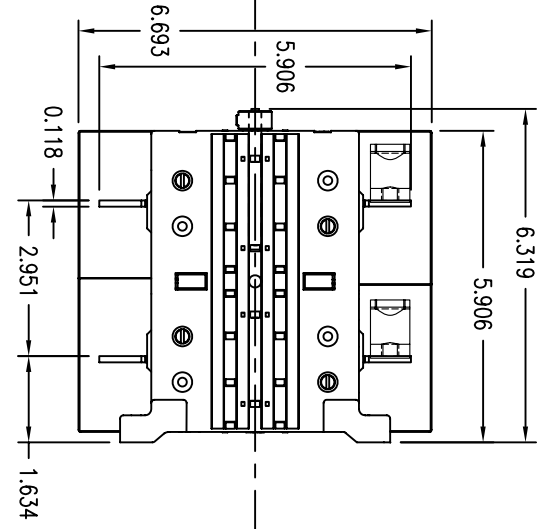
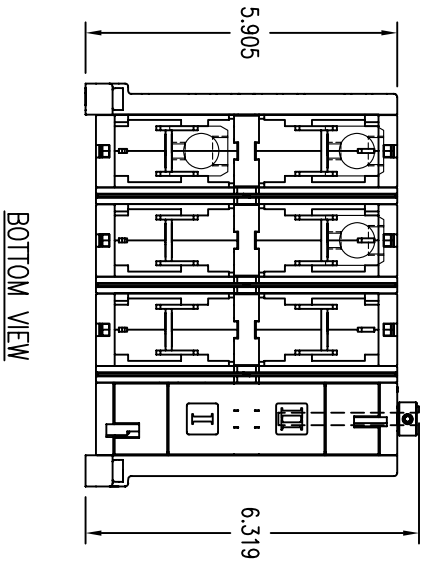
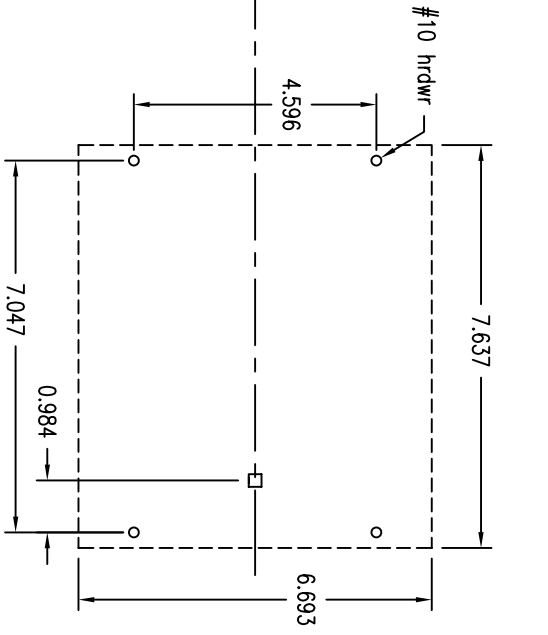


FRONT VIEW



RIGHT SIDE VIEW



BOTTOM VIEW

OT200U30C
600VAC 200A 3-Pole
Manual Transfer Switch
Rotary operated, 3-pos.,
center Off, open transition
cUlus Listed, 97C2
Open Type Switch
UL File #101914
CSA Certified, File #58077

Short Circuit Rating at 600VAC		
kA	Fuse/A	Fuse class
100	200	J
65	400	J
14	Circuit Breaker	

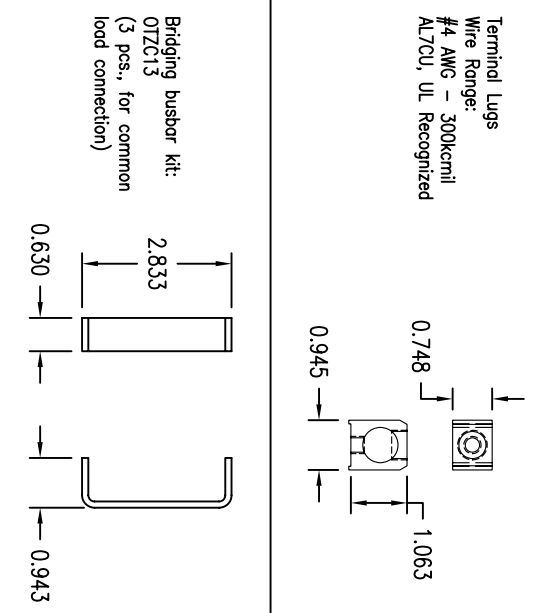
3-phase HP Ratings				
VAC	208	240	480	600
HP	60	75	150	200

Accessories:
Operating Handle
0H880JSE011 - Type 1, 3R, 12
0H880JSE011 - Type 1, 3R, 4, 4X, 12
Ref. drawing D 2301 8001-002 for
pistol grip handle dimensions and
installation details.

Terminal Lug Kits
02XA-200 - 6 Lugs
02XA-200/9 - 9 Lugs,
for use with 07ZC_ busbar kits

Operating Shaft - Mox. encl. depth
0XP6X150 - 10.00 in.
0XP6X210 - 12.00 in.
0XP6X290 - 15.50 in.
0XP6X360 - 18.00 in.
0XP6X450 - 21.00 in.
0XP6X700 - 31.50 in.

Auxiliary Contacts
0A1G10 - In.c.
0A3S01 - In.c.



REV. LET.	REVISIONS	DATE	REV OR APPD BY	THIS DRAWING IS THE PROPERTY OF ABB Inc. AND CONTAINS PROPRIETARY AND CONFIDENTIAL INFORMATION WHICH MUST NOT BE OR REPRODUCED OR DISCLOSED IN ANY MANNER WITHOUT THE EXPRESS AUTHORIZATION BY ABB Inc.	ABB Inc.	DATE 10-12-07	REV. A	TITLE OT200U30C Transfer Switch
						DRAWN JWD	SIZE A	DRAWING NUMBER D 2501 8020-033
						CHK'D		
						PROJECT NO.		
						SHEET 1 OF 1		