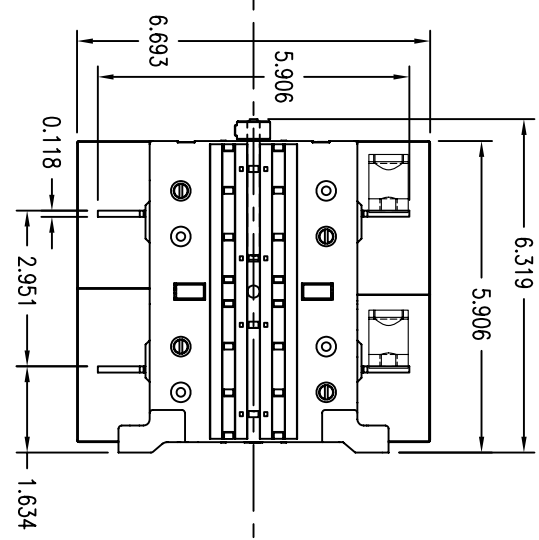
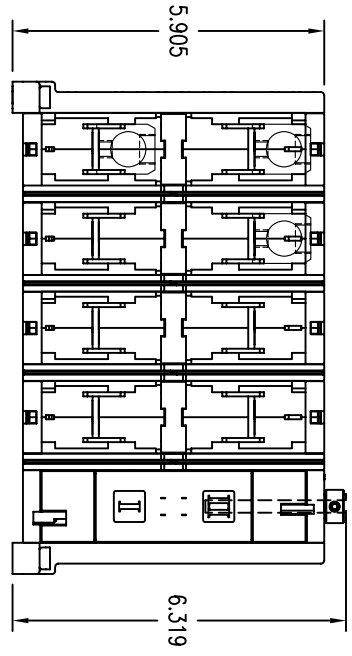
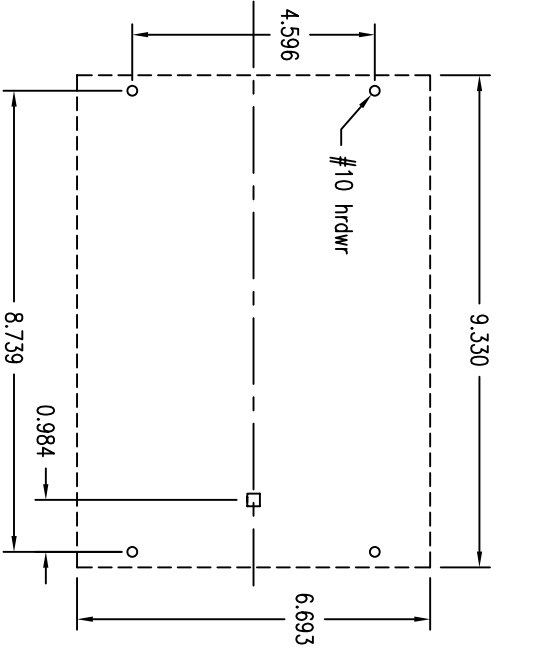


FRONT VIEW



RIGHT SIDE VIEW



BOTTOM VIEW

OT200U40C
600VAC 200A 4-Pole
Manual Transfer Switch
Rotary operated, 3-pos.,
center Off, open transition
cULus Listed, 97C2
Open Type Switch
UL File #101914

CSA Certified, File #58077

Short Circuit Rating at 600VAC			
kA	Fuse/A	Fuse class	
100	200	J	
65	400	J	
14		Circuit Breaker	

3-phase HP Ratings

VAC	208	240	480	600
HP	60	75	150	200

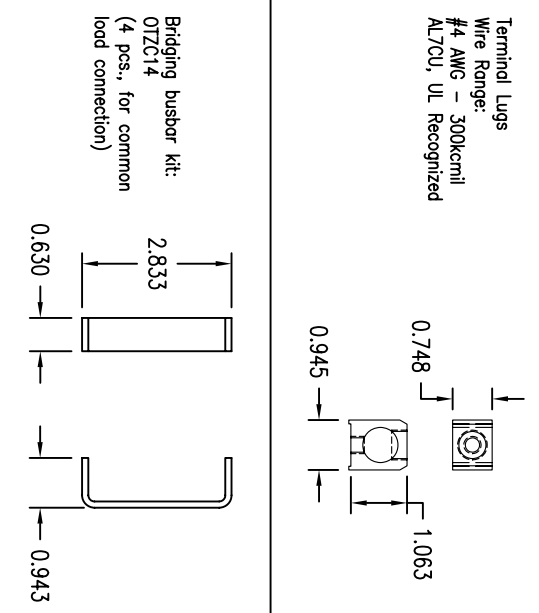
Accessories:

Operating Handle
OH880U6E011 - Type 1, 3R, 12
OH880U8E011 - Type 1, 3R, 4, 4X, 12
Ref. drawing D 2301 8001-002 for
pistol grip handle dimensions and
installation details.

Terminal Lug Kits
OZXA-200 - 6 Lugs
OZXA-200/12 - 12 Lugs,
for use with OTZC_ busbar kits

Operating Shaft - Max. encl. depth
OXP6X150 - 10.00 in.
OXP6X210 - 12.00 in.
OXP6X290 - 15.50 in.
OXP6X360 - 18.00 in.
OXP6X430 - 21.00 in.
OXP6X700 - 31.50 in.

Auxiliary Contacts
OATG10 - In.o.
OAS301 - In.c.



REV. LET.	REVISIONS	DATE	REV OR APPD BY	THIS DRAWING IS THE PROPERTY OF ABB Inc. AND CONTAINS PROPRIETARY AND CONFIDENTIAL INFORMATION WHICH MUST NOT BE OR DISCLOSED OTHER THAN EXPRESSLY AUTHORIZED BY ABB Inc.	ABB Inc.	DATE 10-12-07	REV. A	TITLE OT200U40C Transfer Switch
						DRAWN JWD	SIZE A	DRAWING NUMBER D 2501 8020-034
						CHK'D		
						PROJECT NO.		
						SHEET 1 OF 1		