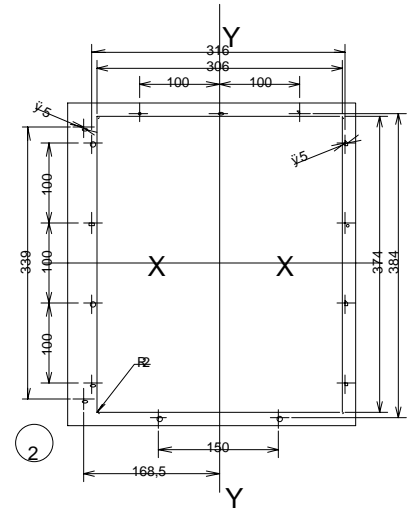


Part. "Z"



E3 3 POLE DRAW-OUT VERSION
HORIZONTAL REAR TERMINALS
All dimensions in mm