

Part. "Z"

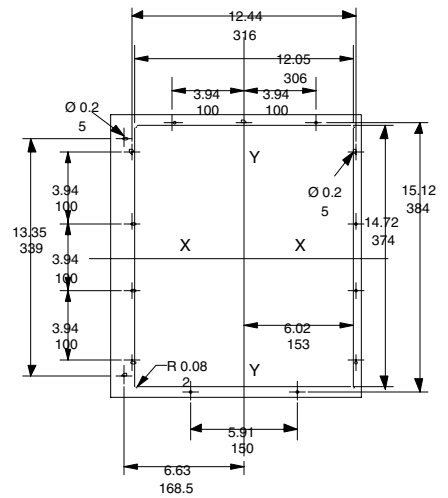
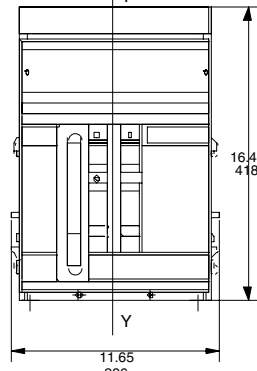
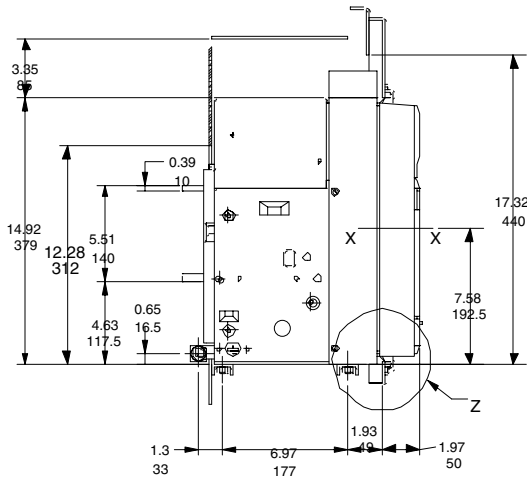
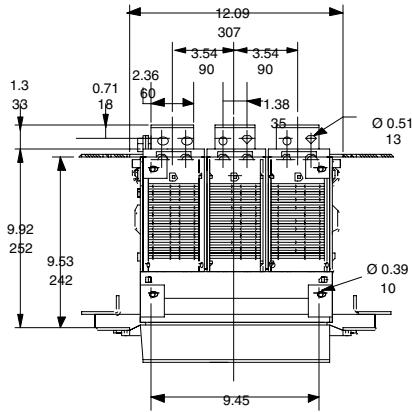


ABB Control Inc. REFERENCE NUMBER: 933859-E1

E1 FIXED WITH HORIZONTAL REAR TERMINALS

FILE NAME
E1-FHRT.DXF
REV. A