



## Caution

The Product Shown in the attached drawing is a

# Discontinued Product

- 1.) The drawing attached illustrates a discontinued product. A similar or improved replacement is usually available.
- 2.) ABB LVP&S does not actively supply, stock or support this product and it may no longer be available
- 3.) This product should not be used in new designs or systems.

Please contact ABB LVP&S Technical Support for help selecting the best replacement product.

### Technical Support

Business Hours: Monday thru Friday, 7:30 a.m. to 5:30 p.m. CST

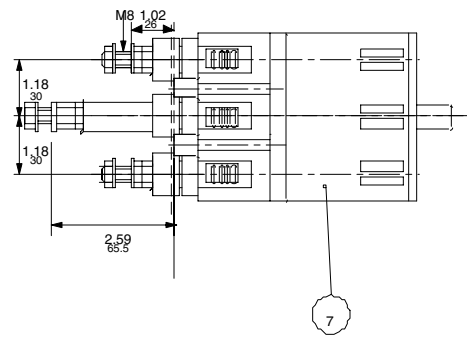
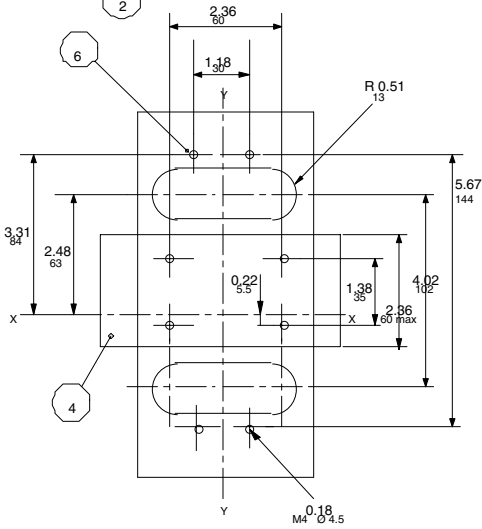
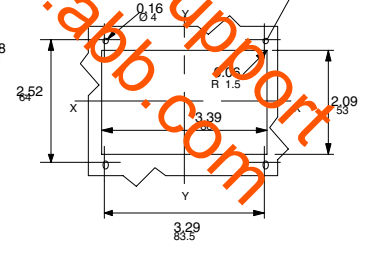
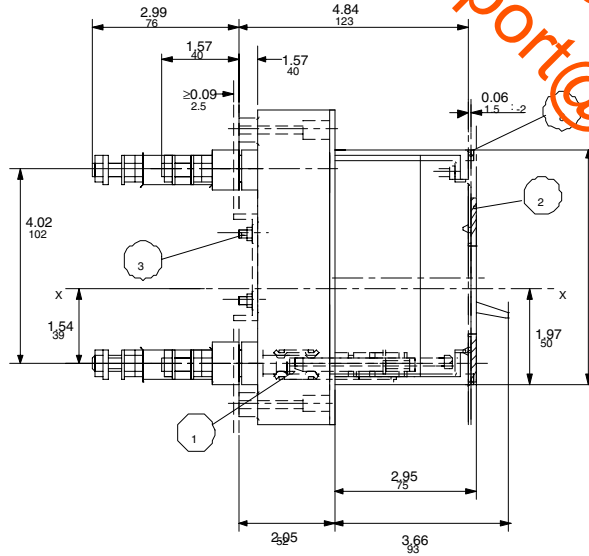
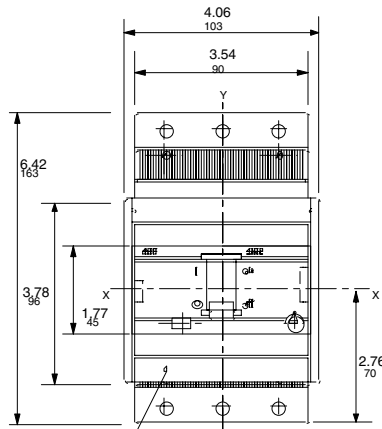
Phone: 1-888-385-1221 option #4 - Fax: 1-940-397-7085 – International (English) 1-940-397-7000

Email: [lvps.support@us.abb.com](mailto:lvps.support@us.abb.com)

Users of the information contained on these pages must verify the validity of the information and only use if acceptable for their specific application.



Discontinued Product,  
 for current product  
 contact Technical Support  
 Ivps.support@us.abb.com



LEGEND

- 1-PLUG-IN BASE
- 2-FLANGE FOR THE COMPARTMENT DOOR
- 3-MOUNTING SCREWS FOR PLUG-IN BASE ON PLATE
- 4-MOUNTING HOLES FOR PLUG-IN BASE ON CHANNEL
- 5-MOUNTING HOLES FOR FRONT FLANGE
- 6-MOUNTING HOLES FOR SHEET STEEL MOUNTING
- 7-TERMINAL COVERS ( SEPARATE ITEM )
- 8-SEALING SCREWS ( OPTIONAL )

ABB Control Inc.  
 4-14-98  
 REV. A

FILE NAME  
 S2-P/R.DXF