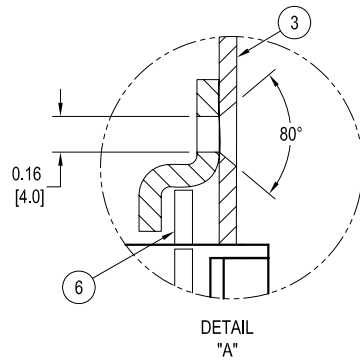
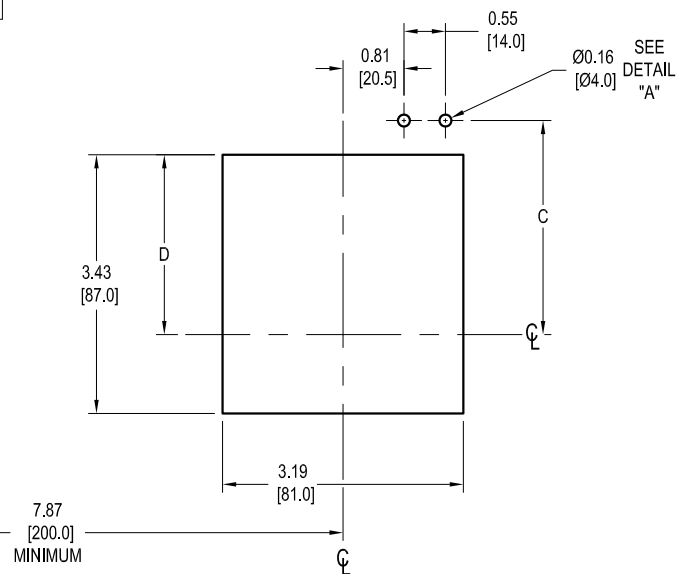
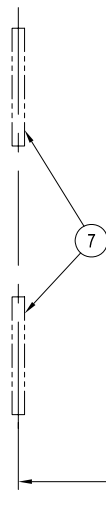
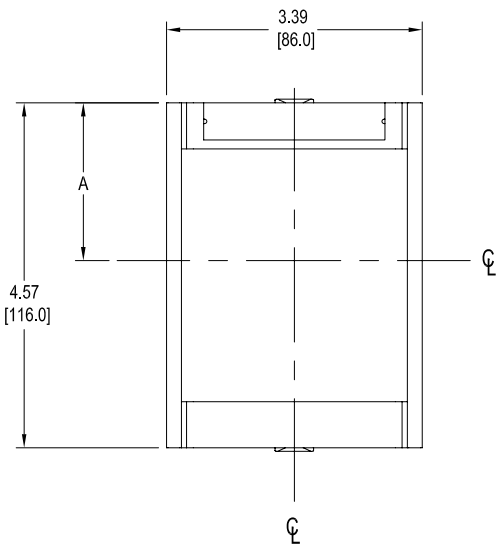


- ① CIRCUIT BREAKER
- ② ROTARY HANDLE OPERATING MECHANISM
- ③ ENCLOSURE DOOR
- ④ ENCLOSURE DOOR FLANGE
- ⑤ ENCLOSURE MOUNTING SURFACE
- ⑥ LOCK FOR COMPARTMENT DOOR (SUPPLIED ON REQUEST)
- ⑦ DOOR HINGE



	A	B	C	D
T1	2.67	1.10	2.09	2.38
T2	[67.7]	[28]	[53.2]	[60.5]
T3	2.49	1.28	1.92	2.20
	[63.2]	[32.5]	[48.7]	[56]



- ④ FLANGE FOR COMPARTMENT DOOR (SUPPLIED AS STANDARD)

DRILLING TEMPLATE OF THE COMPARTMENT DOOR