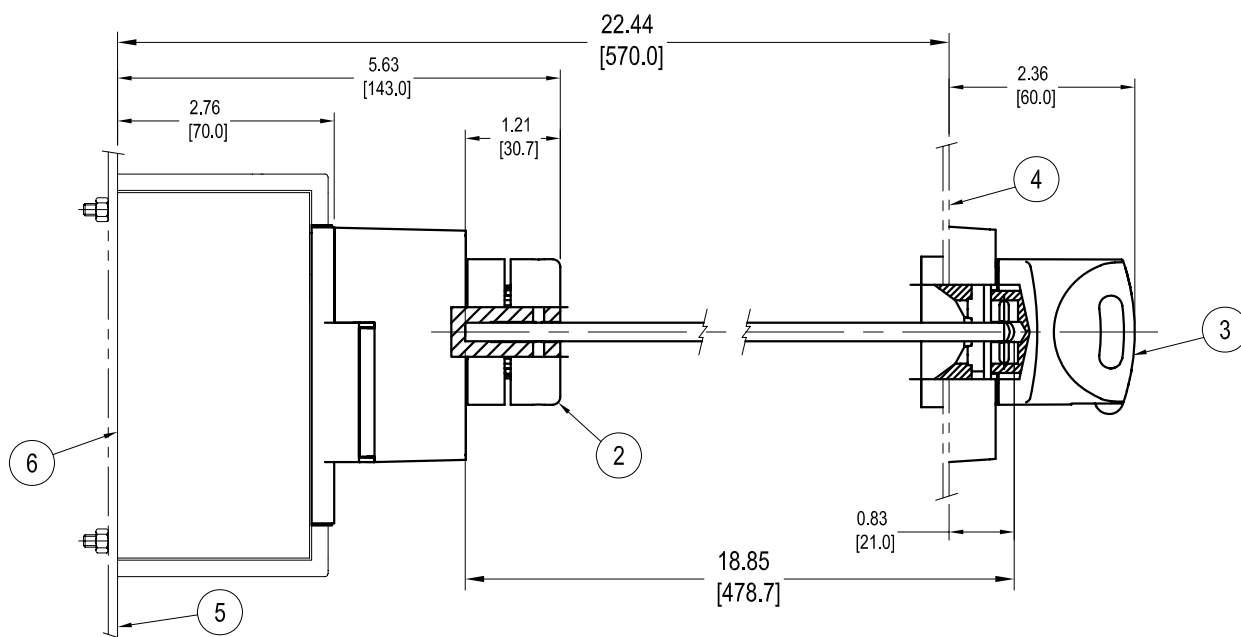


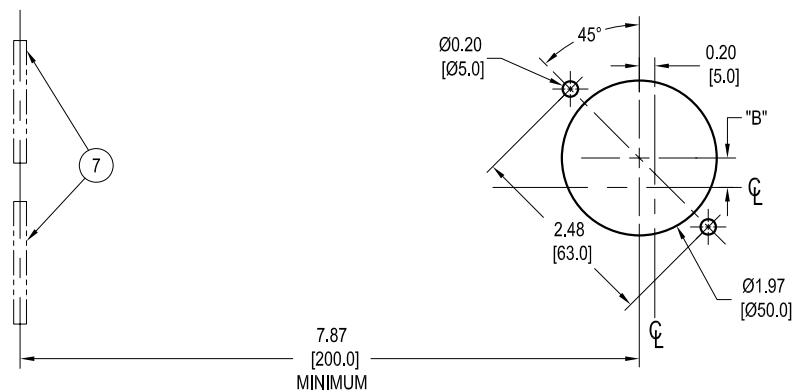
MINIMUM HEIGHTS FOR DOOR



MAXIMUM HEIGHT FOR DOOR

- ① CIRCUIT BREAKER
- ② TRANSMISSION UNIT
- ③ ROTARY HANDLE OPERATING MECHANISM
- ④ ENCLOSURE DOOR
- ⑤ ENCLOSURE MOUNTING SURFACE
- ⑥ INSULATING PLATE
- ⑦ DOOR HINGE

	"A"	"B"
T1	1.10 [28]	0.55 [14]
T3	1.28 [32.5]	0.37 [9.5]



DRILLING TEMPLATE OF THE COMPARTMENT DOOR