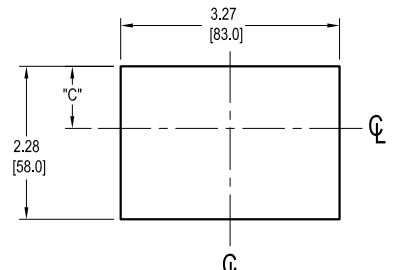
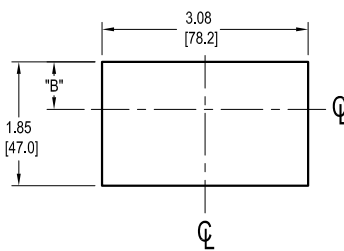
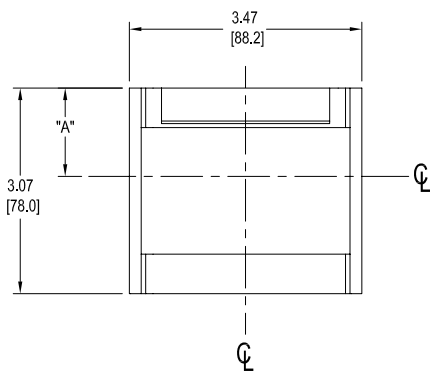


- ① CIRCUIT BREAKER
- ② SOLENOID OPERATOR
- ③ ENCLOSURE DOOR
- ④ ENCLOSURE DOOR FLANGE
- ⑤ ENCLOSURE MOUNTING SURFACE
- ⑥ INSULATING PLATE
- ⑦ DEPTH OF THE SWITCHBOARD WITH OPERATING MECHANISM FACE EXTENDED.
- ⑧ DEPTH OF THE SWITCHBOARD WITH OPERATING MECHANISM FACE FLUSH WITH DOOR



④ FLANGE FOR COMPARTMENT DOOR (SUPPLIED AS STANDARD)

	"A"	"B"	"C"
T1	1.32 [33.5]	0.71 [18]	0.93 [23.5]
T2	1.32 [33.5]	0.71 [18]	0.93 [23.5]
T3	1.14 [29]	0.53 [13.5]	0.75 [19]

DRILLING TEMPLATE OF THE COMPARTMENT DOOR