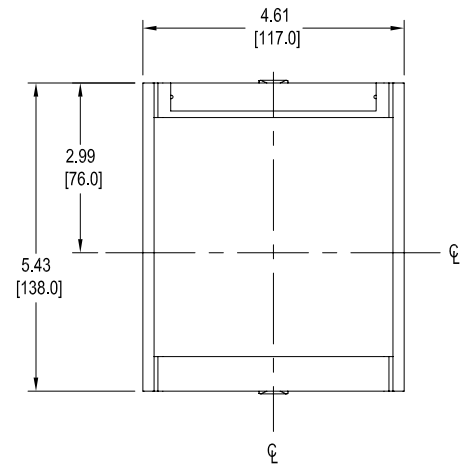
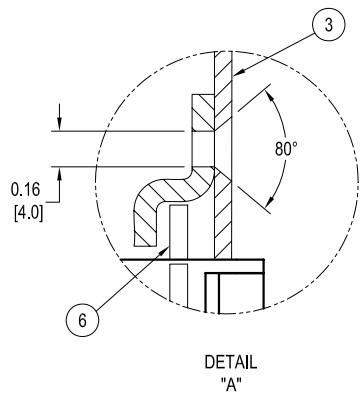
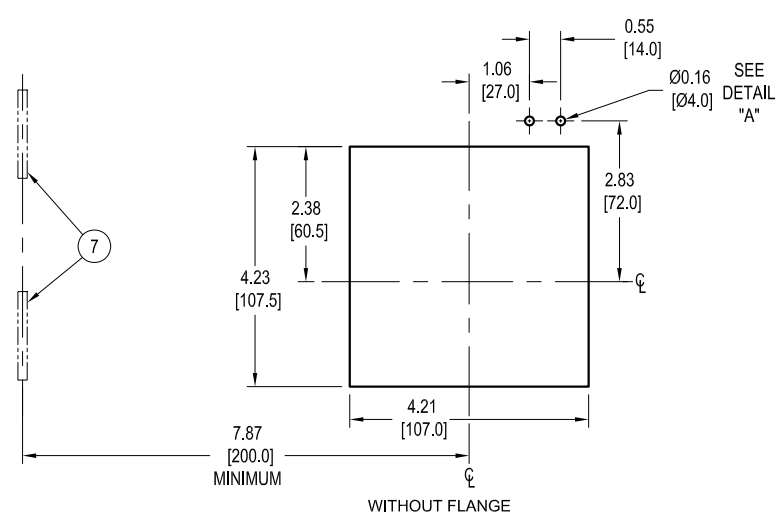
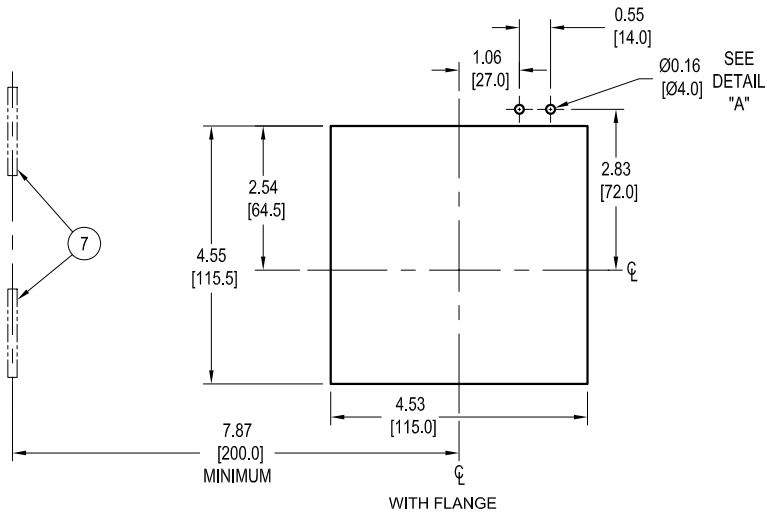


- ① CIRCUIT BREAKER
- ② FRONT LEVER OPERATING MECHANISM
- ③ ENCLOSURE DOOR
- ④ ENCLOSURE DOOR FLANGE
- ⑤ ENCLOSURE MOUNTING SURFACE
- ⑥ LOCK FOR COMPARTMENT DOOR (SUPPLIED ON REQUEST)
- ⑦ DOOR HINGE



④ FLANGE FOR COMPARTMENT DOOR (SUPPLIED AS STANDARD)



DRILLING TEMPLATE FOR THE COMPARTMENT DOOR