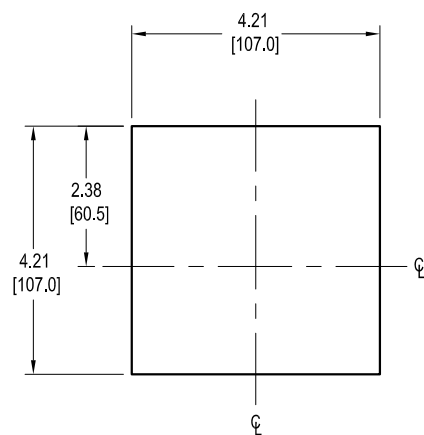
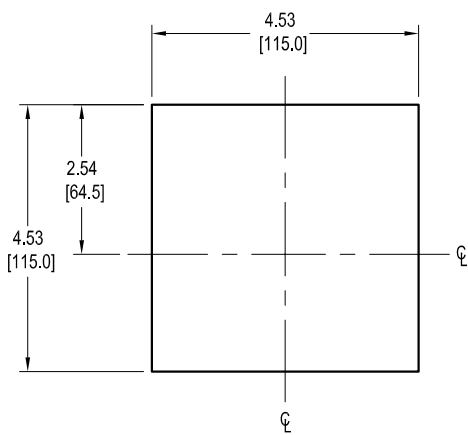
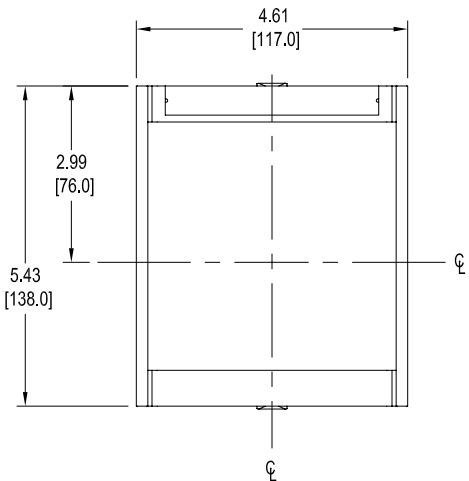


- ① CIRCUIT BREAKER
- ② MOTOR OPERATOR
- ③ ENCLOSURE DOOR
- ④ ENCLOSURE DOOR FLANGE
- ⑤ ENCLOSURE MOUNTING SURFACE
- ⑥ OVERALL DIMENSIONS WITH CABLED AUXILIARY CONTACTS MOUNTED (ONLY 3Q 1SY)



④ FLANGE FOR COMPARTMENT DOOR (SUPPLIED AS STANDARD)

WITH FLANGE

DRILLING TEMPLATE OF THE COMPARTMENT DOOR

WITHOUT FLANGE