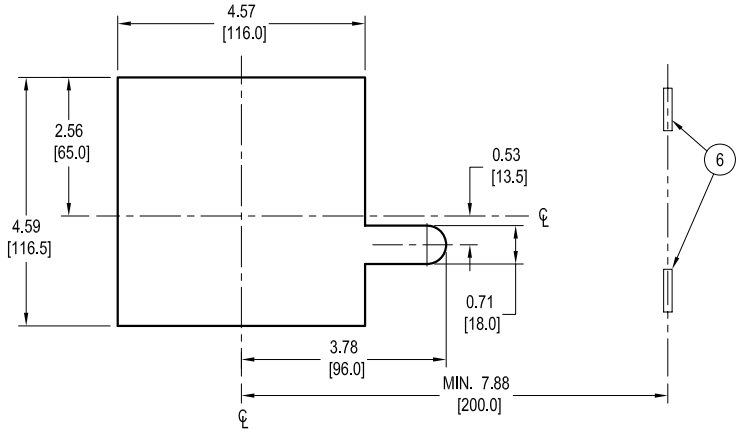
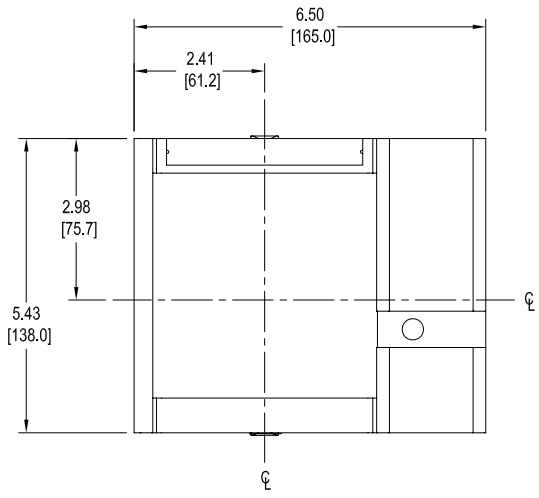


- ① CIRCUIT BREAKER
- ② MOTOR OPERATOR
- ③ ENCLOSURE DOOR
- ④ ENCLOSURE DOOR FLANGE
- ⑤ ENCLOSURE MOUNTING SURFACE
- ⑥ DOOR HINGES



④ FLANGE FOR COMPARTMENT DOOR (SUPPLIED AS STANDARD)

DRILLING TEMPLATE OF THE COMPARTMENT DOOR