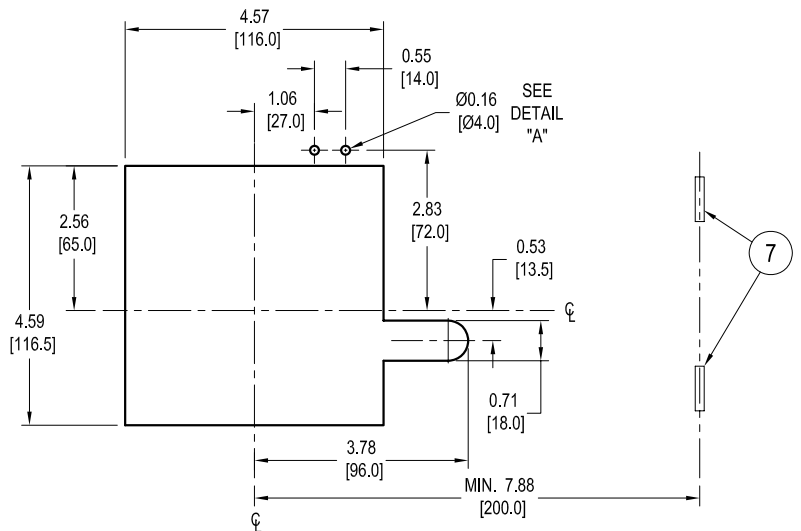
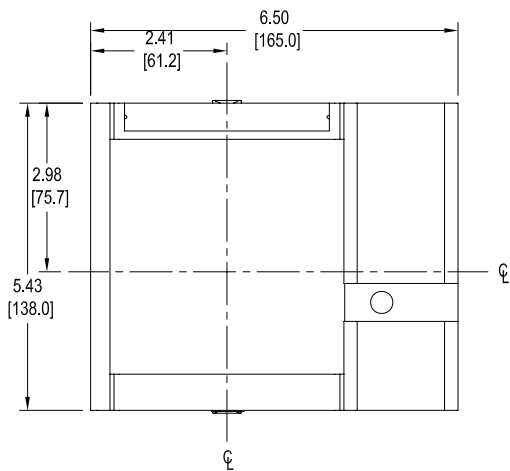
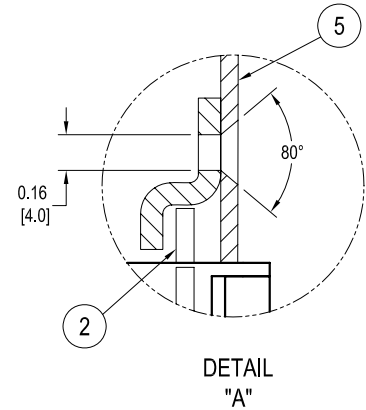


- 1 CIRCUIT BREAKER
- 2 LOCK FOR COMPARTMENT DOOR (SUPPLIED ON REQUEST)
- 3 ROTARY HANDLE OPERATING MECHANISM
- 4 PADLOCK DEVICE FOR OPEN POSITION (MAX. (3) PADLOCKS PROVIDED BY USER)
- 5 ENCLOSURE DOOR
- 6 ENCLOSURE MOUNTING SURFACE
- 7 DOOR HINGE
- 8 DIMENSION WITH AUE CONNECTOR (EARLY MAKING CONTACT)
- 9 DOOR FLANGE



- 9 FLANGE FOR COMPARTMENT DOOR (SUPPLIED AS STANDARD)