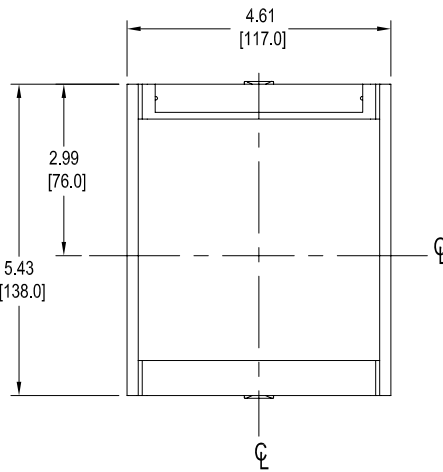
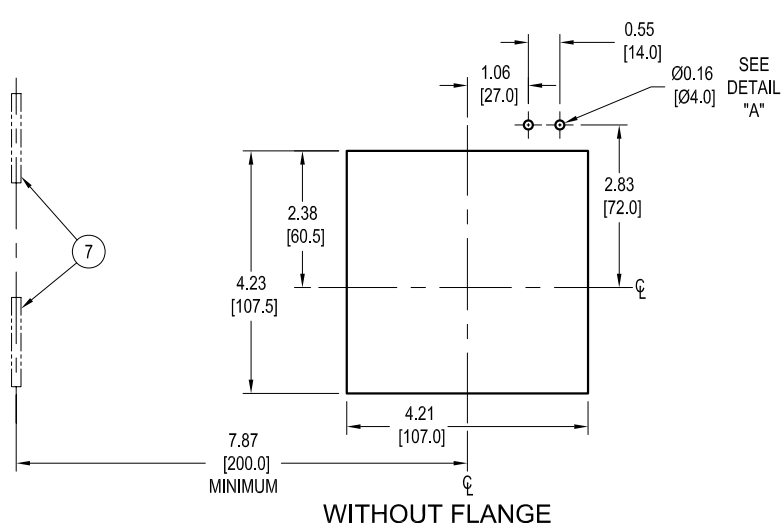
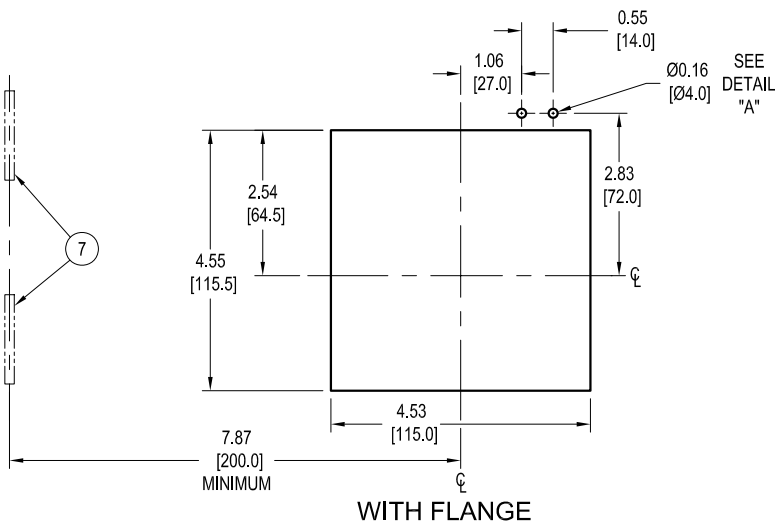


- ① CIRCUIT BREAKER
- ② LOCK FOR COMPARTMENT DOOR
- ③ ROTARY HANDLE OPERATING MECHANISM
- ④ PADLOCK DEVICE FOR OPEN POSITION (MAX. (3) PADLOCKS PROVIDED BY USER)
- ⑤ ENCLOSURE DOOR
- ⑥ ENCLOSURE MOUNTING SURFACE
- ⑦ DOOR HINGE
- ⑧ DIMENSION WITH AUE CONNECTOR (EARLY MAKING CONTACT)
- ⑨ DOOR FLANGE



⑨ FLANGE FOR COMPARTMENT DOOR (SUPPLIED AS STANDARD)



DRILLING TEMPLATE OF THE COMPARTMENT DOOR