



Caution

The Product Shown in the attached drawing is a

Discontinued Product

- 1.) The drawing attached illustrates a discontinued product. A similar or improved replacement is usually available.
- 2.) ABB LVP&S does not actively supply, stock or support this product and it may no longer be available
- 3.) This product should not be used in new designs or systems.

Please contact ABB LVP&S Technical Support for help selecting the best replacement product.

Technical Support

Business Hours: Monday thru Friday, 7:30 a.m. to 5:30 p.m. CST

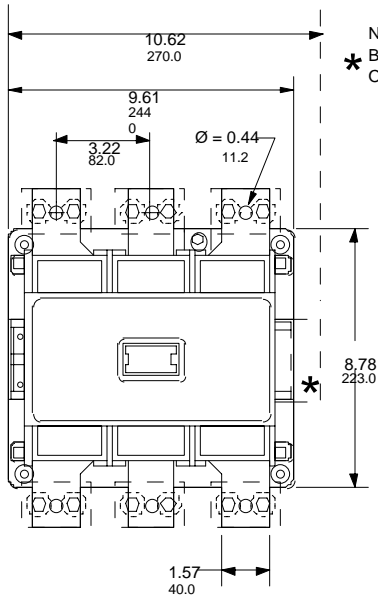
Phone: 1-888-385-1221 option #4 - Fax: 1-940-397-7085 – International (English) 1-940-397-7000

Email: lvps.support@us.abb.com

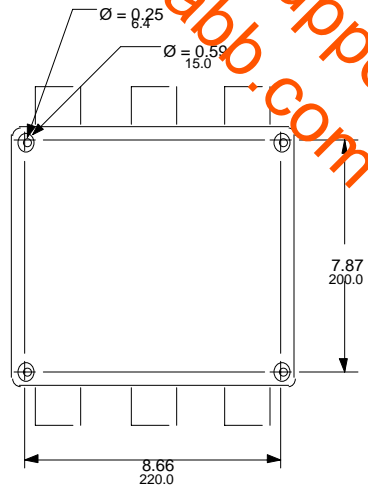
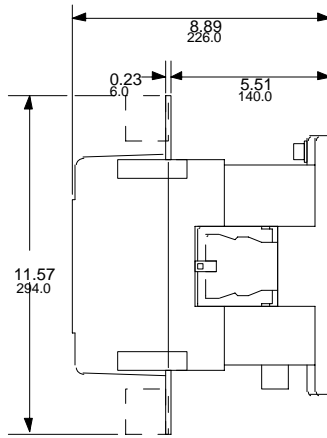
Users of the information contained on these pages must verify the validity of the information and only use if acceptable for their specific application.



Discontinued Product,
for current product
contact Technical Support,
lvps.support@us.abb.com



NOTE: FOR DC-OPERATED CONTACTORS, THE DC AUXILIARY BLOCK AND ECONOMISING RESISTOR ADD 1.00" TO THE WIDTH OF THE EH CONTACTORS.



EH 700 CONTACTOR

ABB Control Inc.
5-20-98
REV. B