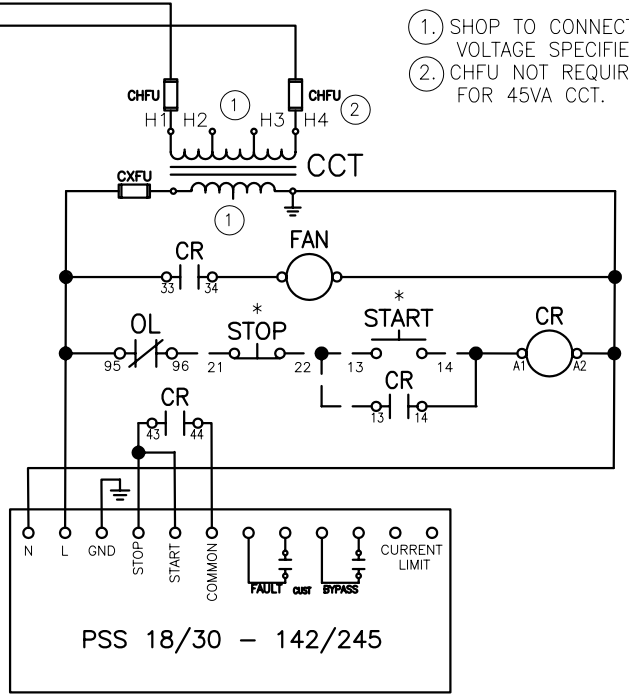
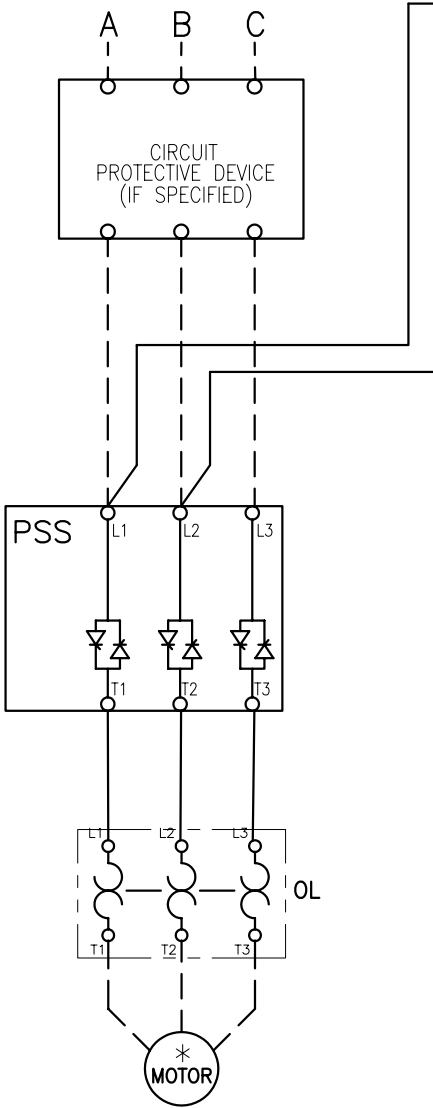
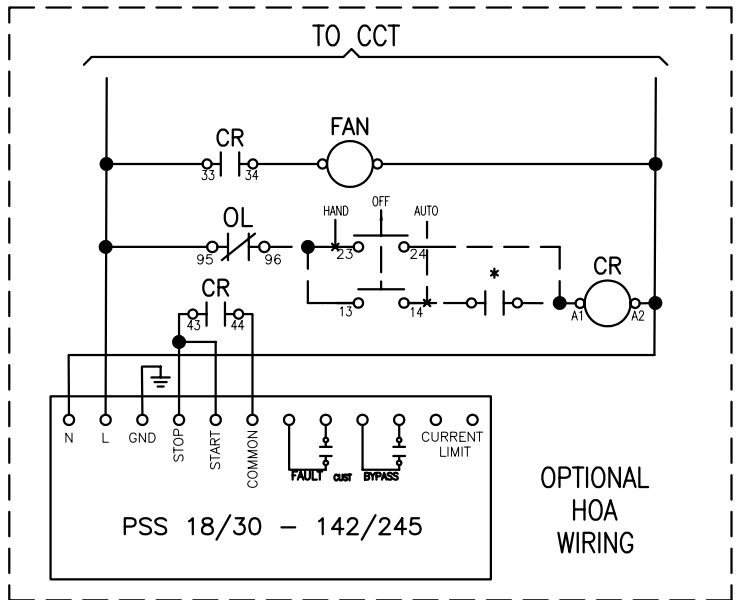


INCOMING LINES



- ① SHOP TO CONNECT PER VOLTAGE SPECIFIED.
- ②. CHFU NOT REQUIRED FOR 45VA CCT.



SET DIP SWITCH S1 AS SHOWN

NOTES

1. COLOR OF CONTROL WIRE SHALL BE PER VOLTAGE ON CONTACTOR COILS:  
 RED-ALL AC VOLTAGES  
 WHITE MAY BE USED ON THE GROUNDED SIDE OF THE AC CIRCUIT IF SPECIFIED.  
 BLUE-ALL DC VOLTAGES
2. ALL DEVICES ARE SHOWN DE-ENERGIZED.
3. DO NOT USE SELECTOR SWITCHES WITH AUTO-RESET OVERLOAD RELAYS.

CONNECTION TORQUE: CONSULT SOFT STARTER MANUAL FOR WIRE TORQUE SPECIFICATIONS.

LEGEND	
CCT	CONTROL CIRCUIT TRANSFORMER
CHFU	CCT PRIMARY FUSE
CXFU	CCT SECONDARY FUSE
B	BYPASS CONTACTOR
BR	BYPASS CONTROL RELAY, (31)
OL	OVERLOAD RELAY
o 13	CONN POINT ON DEVICE WITH NUMBER
*	REMOTE DEVICE
Ø	CONNECTION POINT AT TERMINAL BLOCK

CUST

REV. LET.	REVISIONS	DATE	REV OR APPD BY
D	CR COIL WAS X1,X2	8/27/02	NJH
C	ADD CR	8/21/02	NJH
B	FAN COIL	4/11/02	NJH

THIS DRAWING IS THE PROPERTY OF ABB Inc. AND CONTAINS PROPRIETARY AND CONFIDENTIAL INFORMATION WHICH MUST NOT BE DUPLICATED, USED OR DISCLOSED OTHER THAN EXPRESSLY AUTHORIZED BY ABB Inc.



ABB Inc.

DATE	4/9/02
DRAWN	NJH
CHK'D	
PROJECT NO.	
SHEET	1 OF 1

REV.	D
SIZE	A

TITLE	SCHEMATIC DIAGRAM PSS 18/30-300/515
DRAWING NUMBER	D 2401 1300-015