

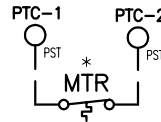
- ① SHOP TO CONNECT PER VOLTAGE SPECIFIED.
- ② CHFU NOT REQUIRED FOR 45VA CCT.

SOFTSTARTER WITHSTAND RATING
 PST30-142 10 kA600 V
 PST175-300 18 kA600 V

CONNECTION TORQUE: CONSULT SOFT STARTER MANUAL FOR WIRE TORQUE SPECIFICATIONS.

PST NOTES:

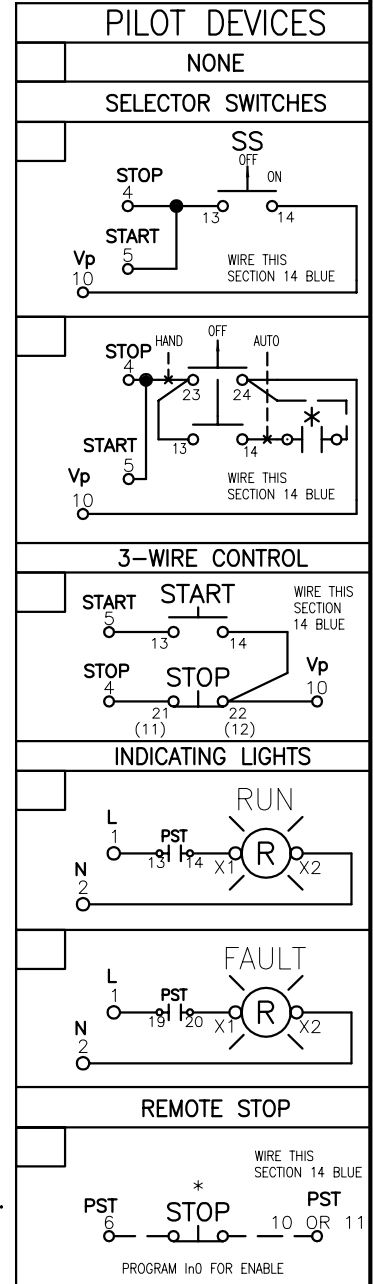
1. PROG. INPUT In0 FACTORY SET FOR RESET FAULT/OL.
2. PROG. RELAY K4 FACTORY SET FOR RUN.
3. PROG. RELAY K5 FACTORY SET FOR AT SPEED.
4. PROG. RELAY K6 FACTORY SET FOR EVENT.
5. FUNCTION MOT 1 Ie MUST BE SET TO MOTOR FLA.



NOTES

1. ALL CONTROL WIRING TO BE 14 GA. COLOR OF CONTROL WIRE SHALL BE PER VOLTAGE ON CONTACTOR COILS:
 RED-ALL AC VOLTAGES
 WHITE MAY BE USED ON THE GROUNDED SIDE OF THE AC CIRCUIT IF SPECIFIED.
 BLUE-ALL DC VOLTAGES
2. ALL DEVICES ARE SHOWN DE-ENERGIZED.
3. DO NOT USE SELECTOR SWITCHES WITH AUTO-RESET OVERLOAD RELAYS.
4. PILOT/PROTECTIVE DEVICE BOX WILL BE CHECKED IF MODEL EQUIPPED WITH OPTION. IF NO OPTIONS ARE INSTALLED, BOX MARKED "NONE" WILL BE CHECKED.
5. PIN NUMBERS IN PARENTHESIS ARE COMPACT PILOT DEVICES.

| LEGEND | |
|--------|------------------------------------|
| CCT | CONTROL CIRCUIT TRANSFORMER |
| CHFU | CCT PRIMARY FUSE |
| CXFU | CCT SECONDARY FUSE |
| PTC | THERMISTOR |
| ○ 13 | CONN POINT ON DEVICE WITH NUMBER |
| * | REMOTE DEVICE |
| ⊗ | CONNECTION POINT AT TERMINAL BLOCK |



CUST

| | | | | | | | | | | | |
|-----------|--|---------|----------------|--|-------------|--------|-------|------|-------|--|-----------------|
| F | ADDED FAULT INDICATION LIGHT | 9/7/04 | KBM | THIS DRAWING IS THE PROPERTY OF ABB Inc. AND CONTAINS PROPRIETARY AND CONFIDENTIAL INFORMATION WHICH MUST NOT BE DUPLICATED, USED OR DISCLOSED OTHER THAN EXPRESSLY AUTHORIZED BY ABB Inc. | DATE | 3/5/03 | REV. | F | TITLE | SCHEMATIC DIAGRAM- IN LINE PST 30-300 W/O BYP | |
| E | CHANGES PER DRAWING REVIEW | 7/21/04 | CDP | | DRAWN | NJH | CHK'D | | | | |
| D | ADD WITHSTAND RTG, REMOTE STOP, DEL ALT COMPACT SEL SW NUMBERS | 7/9/04 | NJH | | PROJECT NO. | | | SIZE | A | DRAWING NUMBER | D 2401 1320-004 |
| C | EXTERNAL WAS NONE | 4/21/04 | NJH | | SHEET | 1 | OF | | | | |
| B | REVISED NOTE 4 | 8/7/03 | NJH | | ABB Inc. | | | | | | |
| REV. LET. | REVISIONS | DATE | REV OR APPD BY | | | | | | | | |