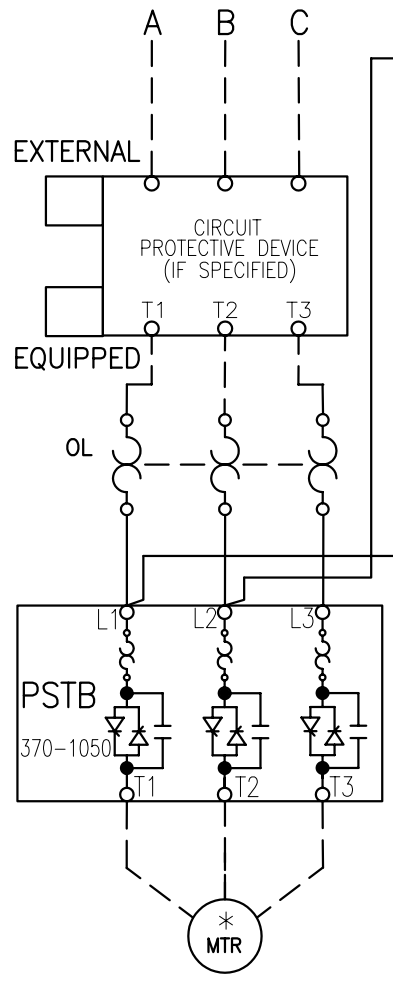
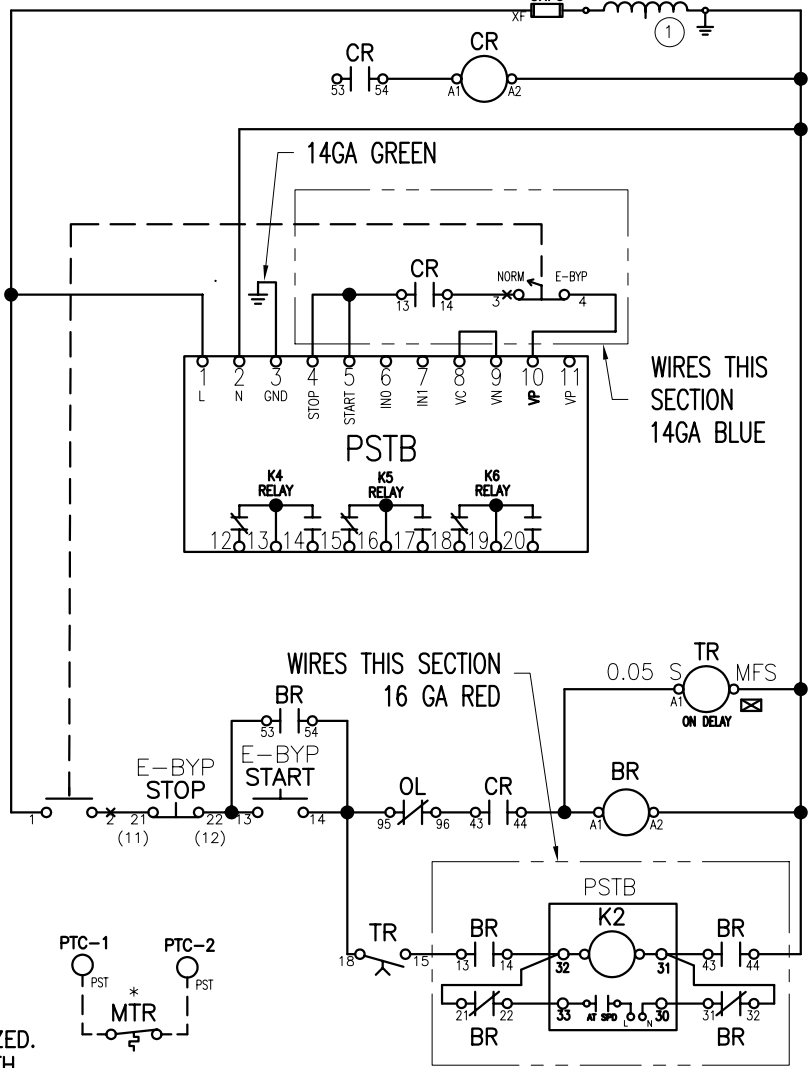


INCOMING LINES



1. SHOP TO CONNECT PER VOLTAGE SPECIFIED.
2. CHFU NOT REQUIRED FOR 45VA CCT.



- NOTES
1. ALL CONTROL WIRING TO BE 14 GA. COLOR OF CONTROL WIRE SHALL BE PER VOLTAGE ON CONTACTOR COILS:

RED-ALL AC VOLTAGES
WHITE MAY BE USED ON THE GROUNDED SIDE OF THE AC CIRCUIT IF SPECIFIED.

BLUE-ALL DC VOLTAGES

2. ALL DEVICES ARE SHOWN DE-ENERGIZED.
3. DO NOT USE SELECTOR SWITCHES WITH AUTO-RESET OVERLOAD RELAYS.
4. PIN NUMBERS IN PARENTHESIS ARE COMPACT PILOT DEVICES.
5. PILOT/PROTECTIVE DEVICE BOX WILL BE CHECKED IF MODEL EQUIPPED WITH OPTION. IF NO OPTIONS ARE INSTALLED, BOX MARKED "NONE" WILL BE CHECKED.

LEGEND	
CCT	CONTROL CIRCUIT TRANSFORMER
CHFU	CCT PRIMARY FUSE
CXFU	CCT SECONDARY FUSE
B	BYPASS CONTACTOR
PTC	THERMAL COUPLE
o 13	CONN POINT ON DEVICE WITH NUMBER
*	REMOTE DEVICE
Ø	CONNECTION POINT AT TERMINAL BLOCK

SOFTSTARTER WITHSTAND RATING

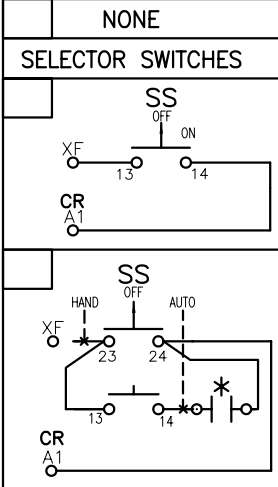
PST30-142	10 kA 600 V
PST175-300	18 kA 600 V
PST370-470	30 kA 600 V

CONNECTION TORQUE: CONSULT SOFT STARTER MANUAL FOR WIRE TORQUE SPECIFICATIONS.

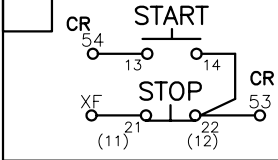
PST NOTES:

1. PROG. INPUT In0 FACTORY SET FOR RESET FAULT/OL.
2. PROG. RELAY K4 FACTORY SET FOR RUN.
3. PROG. RELAY K5 FACTORY SET FOR AT SPEED.
4. PROG. RELAY K6 FACTORY SET FOR EVENT.
5. FUNCTION MOT 1 le MUST BE SET TO MOTOR FLA.
6. SET INTERNAL BYPASS = YES*

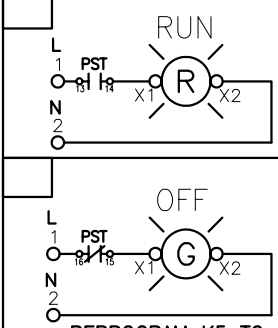
PILOT DEVICES



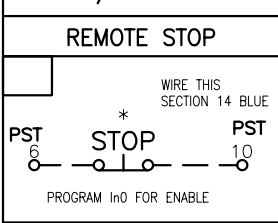
3-WIRE CONTROL



INDICATING LIGHTS



REMOTE STOP



CUST

REV. LET.	REVISIONS	DATE	REV OR APPD BY
E	ADD WITHSTAND RATING, REPLACE 3-POS SEL SW WITH PNL MOUNT SW	7/13/04	KBM
D	OPTIONAL START-STOP CONNECTIONS TO CR WERE 13 & 14	3/8/04	KBM
C	CR 53, 54 WAS 13,14	1/19/04	NJH
B	BR 53,54 WAS 43,44	1/19/04	NJH

THIS DRAWING IS THE PROPERTY OF ABB Inc. AND CONTAINS PROPRIETARY AND CONFIDENTIAL INFORMATION WHICH MUST NOT BE DUPLICATED, USED OR DISCLOSED OTHER THAN EXPRESSLY AUTHORIZED BY ABB Inc.



ABB Inc.

DATE	12/12/03
DRAWN	DW
CHK'D	
PROJECT NO.	
SHEET	1 OF 1

REV.	E
SIZE	A

TITLE	SCHEMATIC DIAGRAM- E-BYP PSTB370-1050
DRAWING NUMBER	D 2401 1320-025