

- ① SHOP TO CONNECT PER VOLTAGE SPECIFIED.
- ② CHFU NOT REQUIRED FOR 45VA CCT.

PST NOTES:

1. PROG. INPUT In0 FACTORY SET FOR RESET FAULT/OL.
2. PROG. RELAY K4 FACTORY SET FOR RUN.
3. PROG. RELAY K5 FACTORY SET FOR AT SPEED.
4. PROG. RELAY K6 FACTORY SET FOR EVENT.
5. FUNCTION MOT 1 le MUST BE SET TO MOTOR FLA.
6. WHEN EQUIPPED, SET EXTERNAL BYPASS TO YES *

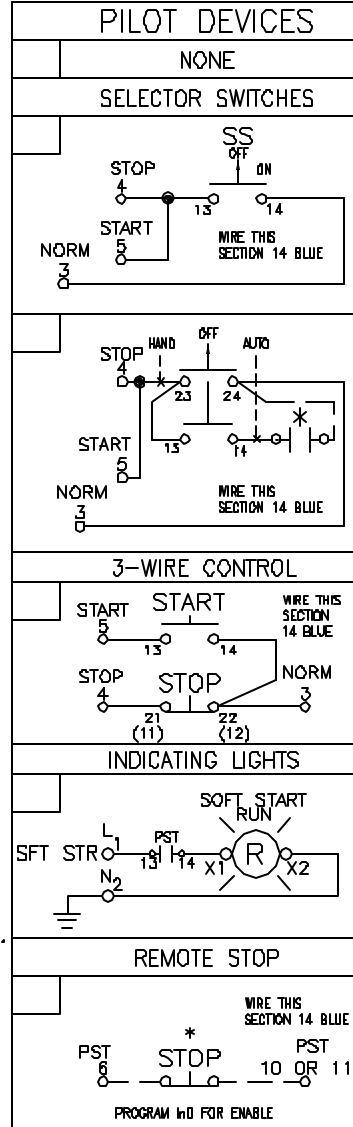
SOFTSTARTER WITHSTAND RATING

PST30-142	10 kA600 V
PST175-300	18 kA600 V

- NOTES**
1. ALL CONTROL WIRING TO BE 14 GA. COLOR OF CONTROL WIRE SHALL BE PER VOLTAGE ON CONTACTOR COILS:
RED-ALL AC VOLTAGES
WHITE MAY BE USED ON THE GROUNDED SIDE OF THE AC CIRCUIT IF SPECIFIED.
BLUE-ALL DC VOLTAGES
 2. ALL DEVICES ARE SHOWN DE-ENERGIZED.
 3. DO NOT USE SELECTOR SWITCHES WITH AUTO-RESET OVERLOAD RELAYS.
 4. PROTECTIVE/PILOT DEVICE BOX WILL BE CHECKED IF MODEL EQUIPPED WITH OPTION. IF NO OPTIONS ARE INSTALLED, BOX MARKED "NONE" WILL BE CHECKED.
 5. PIN NUMBERS IN PARENTHESIS ARE COMPACT PILOT DEVICES.
 6. PIN NUMBERS IN BRACES FOR 130A AND BELOW.

LEGEND	
CCT	CONTROL CIRCUIT TRANSFORMER
CHF1	CCT PRIMARY FUSE
CXFU	CCT SECONDARY FUSE
B	BYPASS CONTACTOR
CR	CONTROL RELAY (SFT STR RUN)
PTC	THERMAL COUPLE
o 13	CONN POINT ON DEVICE WITH NUMBER
*	REMOTE DEVICE
⊗	CONNECTION POINT AT TERMINAL BLOCK

CONNECTION TORQUE; CONSULT SOFT STARTER MANUAL FOR WIRE TORQUE SPECIFICATIONS.



F	REVISED SOFT START RUN LAMP WAS RUN	9/15/04	KBM	THIS DRAWING IS THE PROPERTY OF ABB INC. AND CONTAINS PROPRIETARY AND CONFIDENTIAL INFORMATION WHICH MUST NOT BE DUPLICATED, USED OR DISCLOSED OTHER THAN EXPRESSLY AUTHORIZED BY ABB Inc.	DATE 6/7/04	REV. F	TITLE SCHEMATIC DIAGRAM T30-300, E-BYP CONTROL
E	REVISED RUN LIGHT CONNECTION TERMS	9/14/04	KBM		DRAWN NJH		
D	CHANGES PER DRAWING REVIEW	7/21/04	CDP		CHK'D		
C	DEL COMPACT SEL SW ALT NUMBERS, ADD REMOTE STOP	7/9/04	NJH		PROJECT NO.		
B	NORM/E-BYP 3 WAS 21	6/24/04	NJH		SHEET 1 OF		
REV. LET.	REVISIONS	DATE	REV OR APPD BY	ABB Inc.	SIZE A	DRAWING NUMBER D 2401 1320-039	