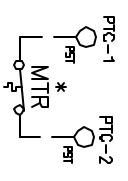
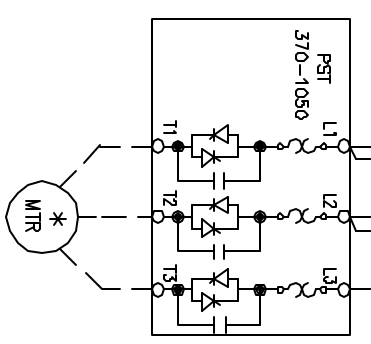
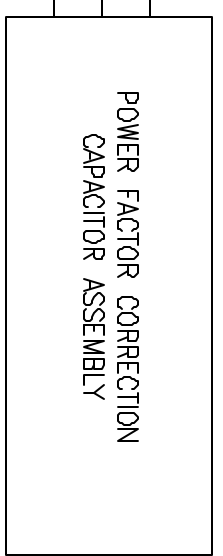
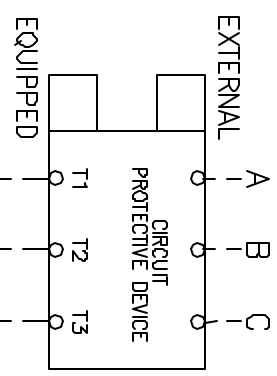


INCOMING LINES

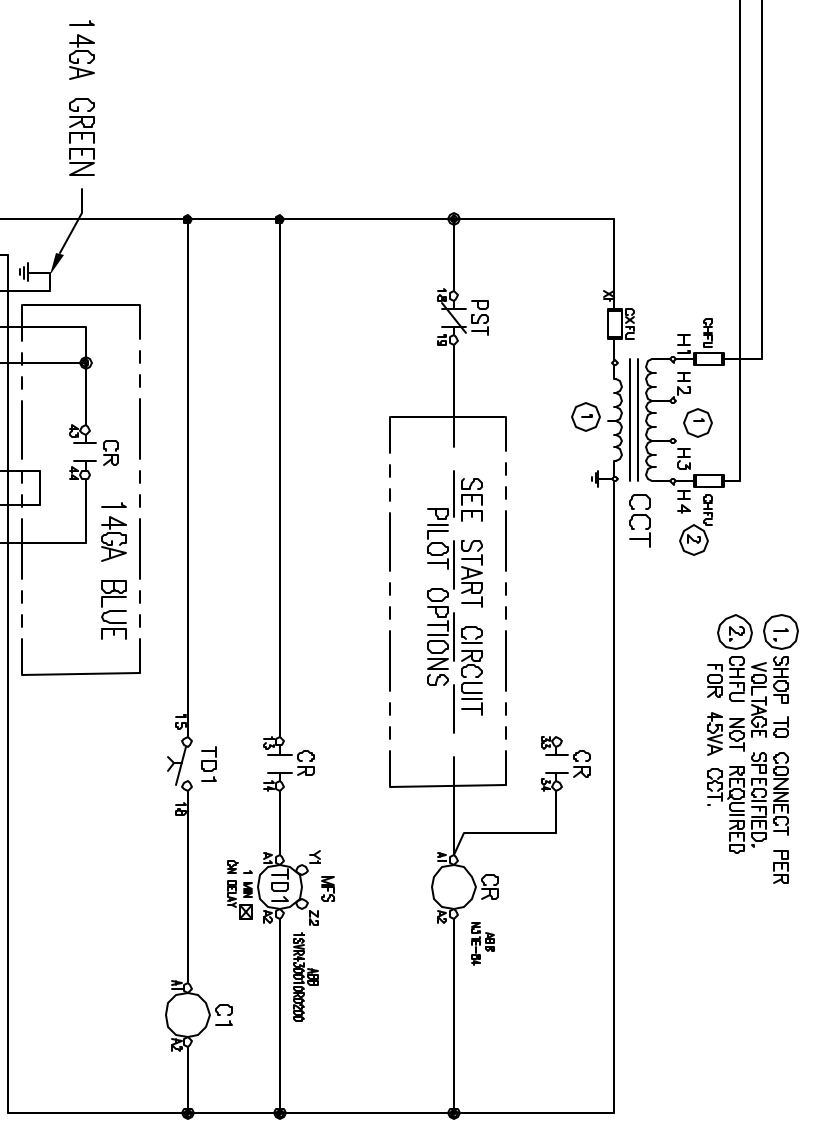


TO ACTIVATE, SET PTC = YES

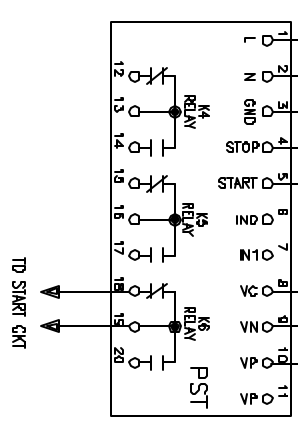
SOFTSTARTER WITHSTAND RATING
PSTB370-470 30 KA 600 V

CONNECTION TORQUE: CONSULT SOFT STARTER
MANUAL FOR WIRE TORQUE SPECIFICATIONS.

DRAWING NUMBER
D 2402 1320-047



- ① SHOP TO CONNECT PER VOLTAGE SPECIFIED.
- ② CHFU NOT REQUIRED FOR 45VA CCT.



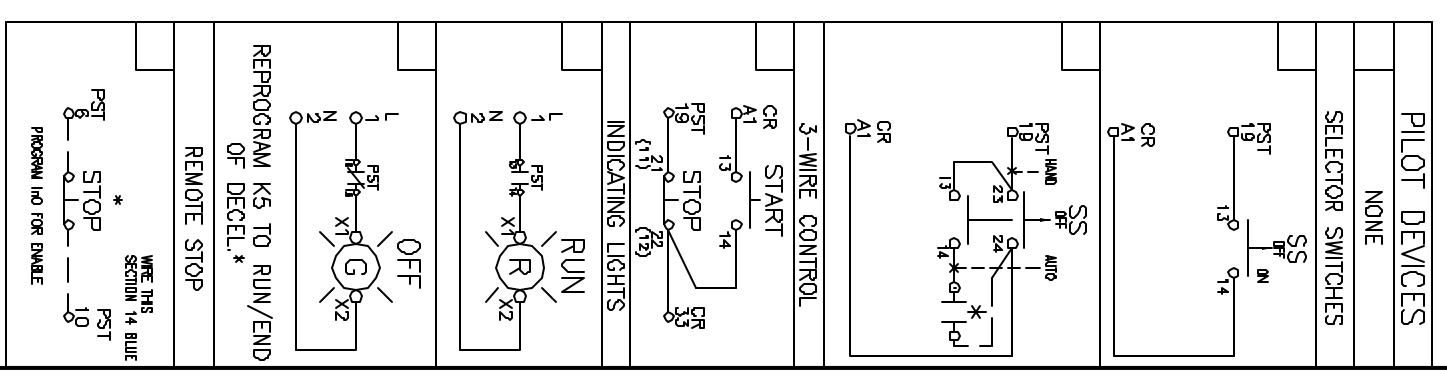
NOTES

1. ALL CONTROL WIRING TO BE 14 GA. COLOR OF CONTROL WIRE SHALL BE PER VOLTAGE ON CONTACTOR COILS.
- RED-ALL AC VOLTAGES
- WHITE MAY BE USED ON THE GROUNDED SIDE OF THE AC CIRCUIT IF SPECIFIED.
- BLUE-ALL DC VOLTAGES
2. ALL DEVICES ARE SHOWN DE-ENERGIZED.
3. DO NOT USE SELECTOR SWITCHES WITH AUTO-RESET OVERLOAD RELAYS.
4. PILOT/PROTECTIVE DEVICE BOX WILL BE CHECKED IF MODEL EQUIPPED W/OPTION. IF NO OPTIONS ARE INSTALLED, BOX MARKED "NONE" WILL BE CHECKED.
5. PIN NUMBERS IN PARENTHESIS ARE COMPACT PILOT DEVICES.

PSTB NOTES:

1. PROG. INPUT I_{NO} FACTORY SET FOR RESET FAULT/DL.
2. PROG. RELAY K4 FACTORY SET FOR RUN.
3. PROG. RELAY K5 FACTORY SET FOR AT SPEED. SET TO RUN/E.O. DECEL IF EQUIPPED WITH OFF LIGHT.*
4. PROG. RELAY K6 FACTORY SET FOR EVENT.
5. FUNCTION MOT 1 LE MUST BE SET TO MOTOR FLA.
6. INTERNAL BYPASS = YES

LEGEND	
CCT	CONTROL CIRCUIT TRANSFORMER
CHFU	CCT PRIMARY FUSE
CHFU	CCT SECONDARY FUSE
B	BYPASS CONTACTOR
PTC	THERMAL COUPLE
o 13	CONN POINT ON DEVICE WITH NUMBER
*	REMOTE DEVICE
Ø	CONNECTION POINT AT TERMINAL BLOCK



DRAWING NUMBER
D 2402 1320-047

REV. LET.	REVISIONS	DATE	REV OR APPD BY LET.	REV LET.

THIS DRAWING IS THE PROPERTY OF ABB Inc. AND CONTAINS PROPRIETARY AND CONFIDENTIAL INFORMATION WHICH IS NOT TO BE DISCLOSED OR REPRODUCED IN ANY MANNER WITHOUT THE EXPRESS WRITTEN AUTHORIZATION OF ABB Inc.

DATE 2/18/05
DRAWN BY NJH
CHK'D
PROJECT NO.
PFCG
SHEET 1 OF 1
REV. A
TITLE SCHEMATIC DIAGRAM
PSTB370-1050, IN-LINE INT. BYP, PFCC
DRAWING NUMBER
D 2402 1320-047
CUSTOMER/WEB