

Disconnect Switches

Double Throw Switches, 200-600A

200-600 Amperes

Heavy Duty, 600V

3 & 4 pole configurations

UL98 listed switches (CSA 22.2, No. 14)

UL File # E101914

IEC - Tested in accordance to IEC947--1 and 3

IEC 664, IEC269 and IEC204

Compact Solution

Modern, Attractive Appearance

Double-Decker Stacked Design

Open Type and Enclosed Versions



Technical Information

Standard 3-pole catalog number	OT200U30C	OT400U30C	OT600U30C
UL Amp rating	200	400	600
IEC Amp rating	250	630	800
Approvals	UL98	UL98	UL98
Configurations			
Premium 4-pole	● OT200U40C	● OT400U40C	● OT600U40C
Standard 3-pole enclosed (NEMA 1, 3R, 4, 4X & 12)	●	●	●
Premium 4-pole enclosed	Consult factory	Consult factory	Consult factory
Max Horsepower Rating			
Three phase			
240V	75	125	200
480V	150	250	450
600V	200	350	500
Terminal Lugs			
Wire size	#4-300kcmil	#2-600kcmil	(2) #2-600kcmil
Wire type	Cu/Al	Cu/Al	Cu/Al
Shaft size	6mm	12mm	12mm
Recommended handle length	80mm	145mm	175mm
Bridging busbar kits			
3-Pole	OTZC13	OTZC23	OTZC33
4-Pole	OTZC14	OTZC24	OTZC34

● Denotes availability

Compact Design

Double-sided spring construction coupled with fewer components and an exceptional short current path enables a uniquely compact manual transfer switch solution.

Clear Position Indication

ABB Manual Transfer Switches are equipped with three definite positions (I-O-II). Isolation between two power supplies is guaranteed by the contact mechanisms, designed as a positive opening construction with mechanically operated contacts.

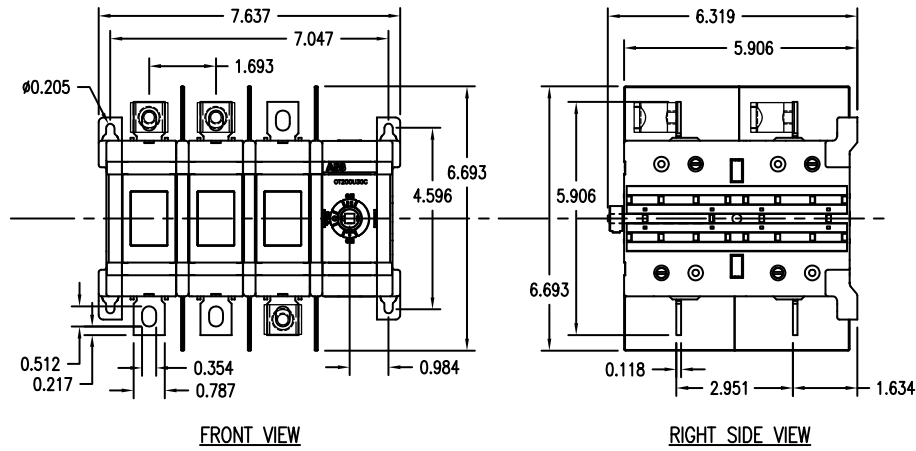
On-Load Switching

Electrical Characteristics of the OT transfer switch line allows on-load switching between two power supplies, adding value to and enhancing the performance of the transfer switch and its applications.

Safe Construction

All moving parts are housed in a fully enclosed casing, allowing safe operation and protection of equipment and the user.

OT200U30C



OT200U30C
 600VAC 200A 3-Pole
 Double Throw Switch
 Rotary operated, 3-pos.,
 center OFF, open transition

cULus Listed, 97C2
 Open Type Switch
 UL File #101914

Short Circuit Rating at 600VAC		
kA	Fuse/A	Fuse class
100	200	J
65	400	J
14		Circuit Breaker

3-phase HP Ratings			
VAC	240	480	600
HP	75	150	200

Accessories:

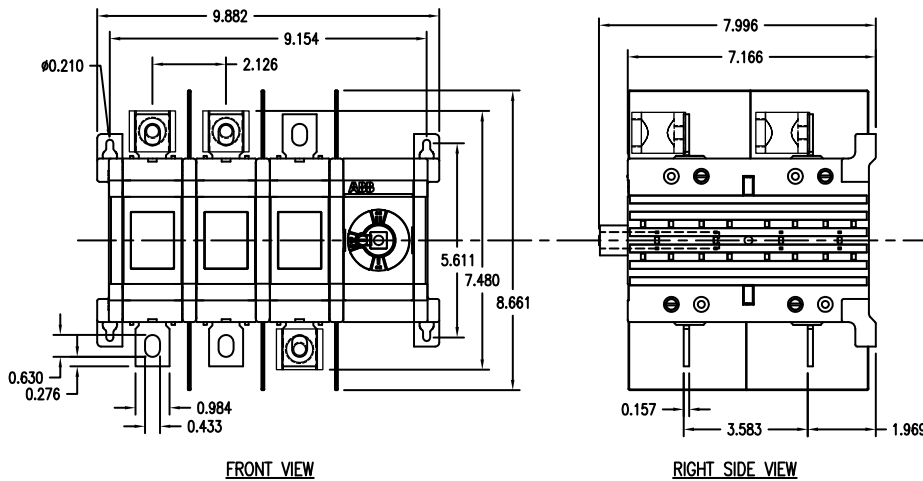
Operating Handle
 OHB80J6E011 - Type 1, 3R, 12
 OHB80LBE011 - Type 1, 3R, 4, 4X, 12
 Ref. drawing D 2301 8001-002 for
 pistol grip handle dimensions and
 installation details.

Terminal Lug Kits
 OZXA-200 - 6 Lugs
 OZXA-200/9 - 9 Lugs,
 for use with OTZC_ busbar kits

Operating Shaft - Max. encl. depth
 OXP6X150 - 10.00 in.
 OXP6X210 - 12.00 in.
 OXP6X290 - 15.50 in.
 OXP6X360 - 18.00 in.
 OXP6X430 - 21.00 in.
 OXP6X700 - 31.50 in.

Auxiliary Contacts
 OA1G10 - 1n.o.
 OA3G01 - 1n.c.

OT400U30C



OT400U30C
 600VAC 400A 3-Pole
 Double Throw Switch
 Rotary operated, 3-pos.,
 center OFF, open transition

cULus Listed, 97C2
 Open Type Switch
 UL File #101914

Short Circuit Rating at 600VAC		
kA	Fuse/A	Fuse class
100	600	J
30		Circuit Breaker

3-phase HP Ratings			
VAC	240	480	600
HP	125	250	350

Accessories:

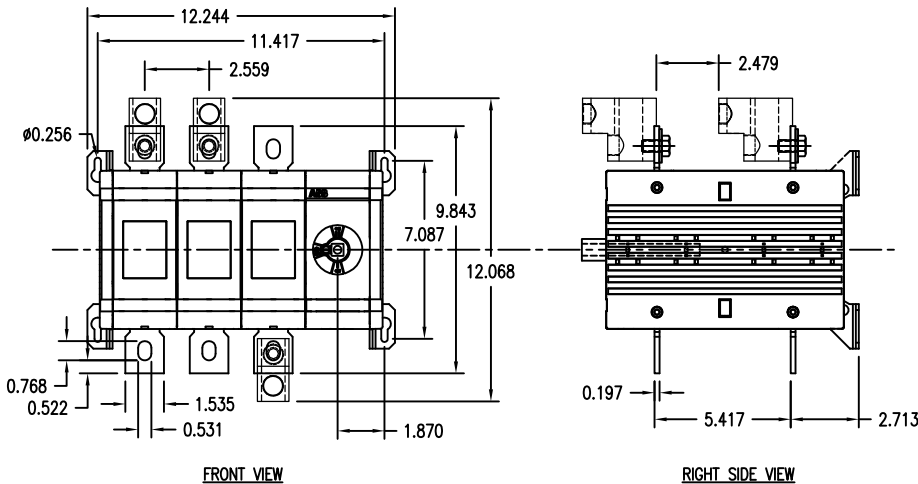
Operating Handle
 OHB145J12E011 - Type 1, 3R, 12
 OHB145L12E011 - Type 1, 3R, 4, 4X, 12
 Ref. drawing D 2301 8001-002 for
 pistol grip handle dimensions and
 installation details.

Terminal Lug Kits
 OZXA-400 - 6 lugs
 OZXA-400/9 - 9 lugs,
 for use with OTZC_ busbar kit

Operating Shaft - Max. encl. depth
 OXP12X220 - 12.30 in.
 OXP12X280 - 14.70 in.
 OXP12X325 - 16.50 in.
 OXP12X385 - 19.20 in.
 OXP12X465 - 22.00 in.
 OXP12X625 - 28.30 in.

Auxiliary Contacts
 OA1G10 - 1n.o.
 OA3G01 - 1n.c.

OT600U30C



OT600U30C
 600VAC 600A 3-Pole
 Double Throw Switch
 Rotary operated, 3-pos.,
 center OFF, open transition

cULus Listed, 97C2
 Open Type Switch
 UL File #101914

Short Circuit Rating at 600VAC		
kA	Fuse/A	Fuse class
100	800	J, T or L
100	600	RK5
30		Circuit Breaker

3-phase HP Ratings			
VAC	240	480	600
HP	200	450	500

Accessories:

Operating Handle
 OHB175J12E011 - Type 1, 3R, 12
 OHB175L12E011 - Type 1, 3R, 4, 4X, 12
 Ref. drawing D 2301 8001-002 for
 pistol grip handle dimensions and
 installation details.

Terminal Lug Kits
 OZXA-600 - 6 lugs
 OZXA-600/9 - 9 lugs,
 for use with OTZC_ busbar kit

Operating Shaft - Max. encl. depth
 OXP12X220 - 14.20 in.
 OXP12X280 - 16.50 in.
 OXP12X325 - 18.30 in.
 OXP12X385 - 21.10 in.
 OXP12X465 - 23.80 in.
 OXP12X625 - 30.10 in.

Auxiliary Contacts
 OA1G10 - 1n.o.
 OA3G01 - 1n.c.



ABB Inc.
 1206 Hatton Road
 Wichita Falls, TX 76302
 Telephone 888-385-1221; 940-397-7000
 Fax 940-397-7085
<http://www.abb.us/disconnectswitches>